

Before proceeding with installation, plan all wiring and cable routing. Select the mounting location for the lightbar on a flat, smooth surface and centre the unit across the width of the vehicle. The mounting location for the lightbar should be chosen such that the lightbar is level and visibility to approaching traffic is optimised. Mounting should be such that there is no less than 12mm (½") clearance between the roof and the lightbar at any point.



Caution:

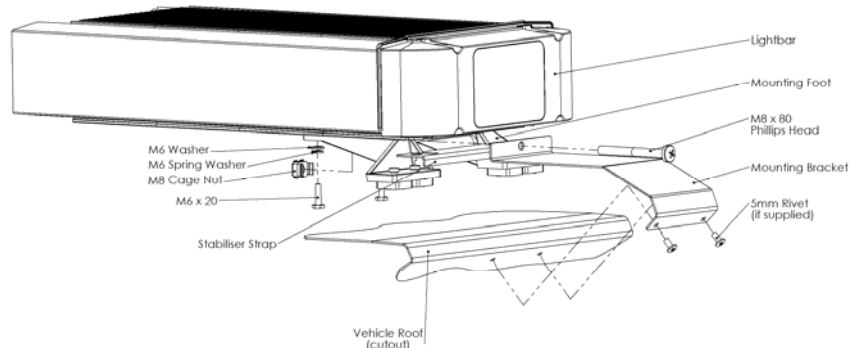
When drilling into any vehicle surface, make sure that the area is free from any electrical wires, fuel lines, vehicle upholstery, vehicle support members, etc. that could be damaged.

Gutter Mounting

Important!

Gutter mount brackets are specific to the vehicle model – Ensure the brackets are suitable for the vehicle before installation.

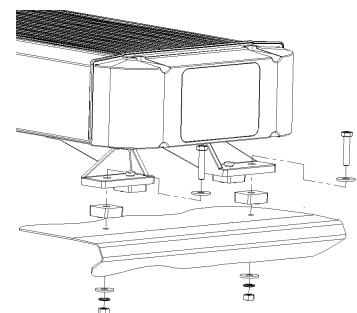
- Adjust feet to the required position:
Loosen the M6 screws to allow the mounting feet to slide along the base. Symmetrically adjust the mounting feet to the width detailed in the mounting bracket selection table (see over page - the feet should be positioned near the curved edges of the roof where the roof is strongest). Tighten the screws to fasten the feet in position.
- Determine the location of the lightbar, and the best route for the wiring. Note: Gutter mounting brackets are designed for mounting the lightbar at the highest point on the roof surface.
- Install spacer pads into the mounting feet if provided/required.
- With the bar positioned on the roof, position stabiliser strap on feet (refer to diagram), slide mounting hooks over the stabiliser strap, and fit the hooks under the gutter (refer to diagram). Note: Brackets are often designed to fit under door trim, the trim may have to be temporarily removed for installation.
- Insert the M8 tensioning bolts through the brackets and into the cage nuts. Using a No.3 point Phillips head screwdriver, lightly tighten the tensioning bolts evenly ensuring the lightbar remains centred.
- If rivets are supplied, drill 5mm (3/16") diameter holes in the vehicle using the holes in the hooks as a guide, and fit the rivets (refer to diagram).
- Once rivets are fitted, firmly tighten tensioning bolts and replace trim as required and ensure doors close properly.



Permanent Mounting

90 Series lightbars may be mounted using M6 or 1/4" hardware.

- Determine the location of the lightbar, and the best route for the wiring.
- Remove the outer mounting pads and cut off the retaining knob to expose the hole through the centre of the pad.
- Loosen the M6 bolts to allow the mounting feet to slide along the base. Place the lightbar on the vehicle in the determined location and slide the mounting feet into position. It is suggested that positioning of the feet be symmetrical and positioned near the curved edges of the roof where the roof is strongest.
- With the feet positioned, mark the location of the mounting hole centres on the roof. Remove the bar and drill 8mm (5/16") mounting holes as marked. Note: the centre distance between the mounting holes in a foot is 193.5mm (7 5/8").
- Place the lightbar on the mounting surface. Insert mounting bolts through washers, the mounting feet, mounting pads and the holes drilled in step 4 (refer to diagram). Install washers and appropriate nuts to secure the lightbar.



Manufacturer Limited Warranty and Limitation of Liability:

Manufacturer warrants that on the date of purchase this product will conform to Manufacturer's specifications for this product (which are available from the Manufacturer upon request), and Manufacturer further warrants that this product is free from defects in materials and workmanship. This Limited Warranty extends for twenty-four (24) months from the date of purchase. Other warranties may apply, call Manufacturer for details. Manufacturer will, at its discretion, repair or replace any product found by the Manufacturer to be defective and subject to this Limited Warranty.

DAMAGE TO PARTS OR PRODUCTS RESULTING FROM TAMPERING, ACCIDENT, ABUSE, MISUSE, NEGLIGENCE, UNAPPROVED MODIFICATIONS, FIRE OR OTHER HAZARD; IMPROPER INSTALLATION OR OPERATION; OR NOT BEING MAINTAINED IN ACCORDANCE WITH THE MAINTENANCE PROCEDURES SET FORTH IN MANUFACTURER'S INSTALLATION AND OPERATING INSTRUCTIONS VOIDS THIS LIMITED WARRANTY.

ORAL STATEMENTS OR REPRESENTATIONS ABOUT THE PRODUCT WHICH MAY HAVE BEEN MADE BY SALESPEOPLE, DEALERS, AGENTS OR OTHER MANUFACTURER'S REPRESENTATIVES DO NOT CONSTITUTE WARRANTIES. THIS LIMITED WARRANTY MAY NOT BE AMENDED, MODIFIED, OR ENLARGED EXCEPT BY A WRITTEN AGREEMENT SIGNED BY AN AUTHORIZED OFFICIAL OF MANUFACTURER WHICH EXPRESSLY REFERS TO THIS LIMITED WARRANTY.

Exclusion of Other Warranties:

MANUFACTURER MAKES NO OTHER WARRANTIES, EXPRESS OR IMPLIED. THE IMPLIED WARRANTIES FOR MERCHANTABILITY OR FITNESS FOR A PARTICULAR PURPOSE ARE HEREBY EXCLUDED AND SHALL NOT APPLY TO THE PRODUCT. BUYER'S SOLE AND EXCLUSIVE REMEDY IN CONTRACT, TORT, OR UNDER ANY OTHER THEORY AGAINST MANUFACTURER REGARDING THE PRODUCT AND ITS USE SHALL BE THE REPLACEMENT OR REPAIR OF THE PRODUCT AS DESCRIBED ABOVE.

Limitation of Liability:

IN THE EVENT OF LIABILITY FOR DAMAGES ARISING OUT OF THIS LIMITED WARRANTY OR ANY OTHER CLAIM RELATED TO THE MANUFACTURER'S PRODUCTS, MANUFACTURER'S LIABILITY FOR DAMAGES SHALL BE LIMITED TO THE AMOUNT PAID FOR THE PRODUCT AT THE TIME OF THE ORIGINAL PURCHASE. IN NO EVENT SHALL MANUFACTURER BE LIABLE FOR LOST PROFITS, THE COST OF SUBSTITUTE EQUIPMENT OR LABOR, PROPERTY DAMAGE, OR OTHER SPECIAL, CONSEQUENTIAL, OR INCIDENTAL DAMAGES BASED UPON ANY CLAIM FOR BREACH OF CONTRACT, IMPROPER INSTALLATION, NEGLIGENCE, OR OTHER CLAIM, EVEN IF MANUFACTURER OR A MANUFACTURER'S REPRESENTATIVE HAS BEEN ADVISED OF THE POSSIBILITY OF SUCH DAMAGES. MANUFACTURER SHALL HAVE NO FURTHER OBLIGATION OR LIABILITY WITH RESPECT TO THE PRODUCT OR ITS SALE, OPERATION AND USE, AND MANUFACTURER NEITHER ASSUMES NOR AUTHORIZES THE ASSUMPTION OF ANY OTHER OBLIGATION OR LIABILITY IN CONNECTION WITH SUCH PRODUCT.

This Limited Warranty defines specific legal rights. You may have other legal rights which vary from state to state. Some states do not allow the exclusion or limitation of incidental or consequential damages.



PO Box 1509
Launceston
Tasmania
Australia 7250
(03) 6332 2444
FAX (03) 6332 2490
<http://www.hazard.com.au>